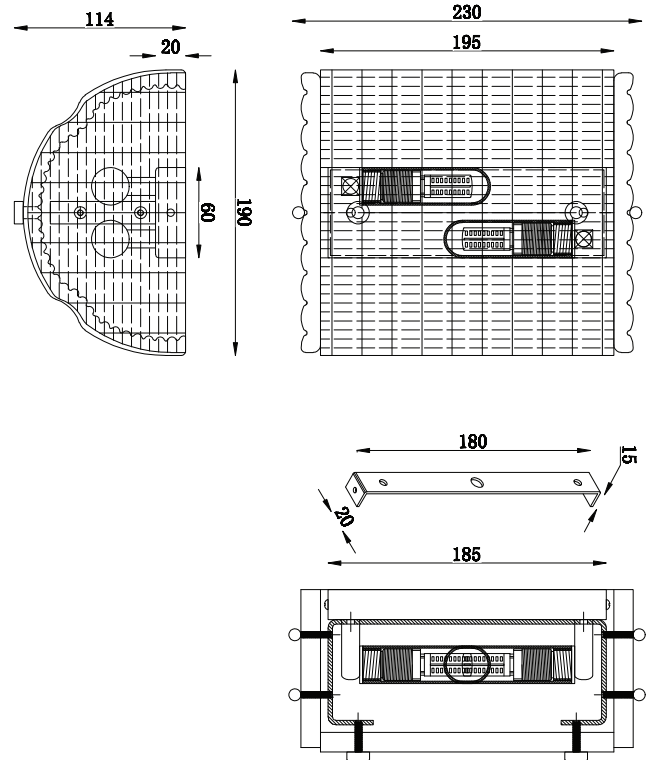


PURE WHITE LINES

EST. 2012



Small Tortona Wall Light

Technical Specification Sheet

Dimensions

excluding rose & chain (cm)

W	D	H
19	12	23

Weight

2.8kg

Product code

PWL37965/S

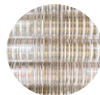
Materials

Plated iron / glass

Metal Finish

Satin Brass

Glass colour



Clear

IP Rating

IP44

Suitable for dimming

Yes - dimmable bulb is required

Max wattage

40W (equivalent to 5W LED)



Bulb requirements

2 bulbs, G9
(not included)

Packaging dims

W35 x D35 x H35cm

Packaging weight

3.5kg

Assembly required

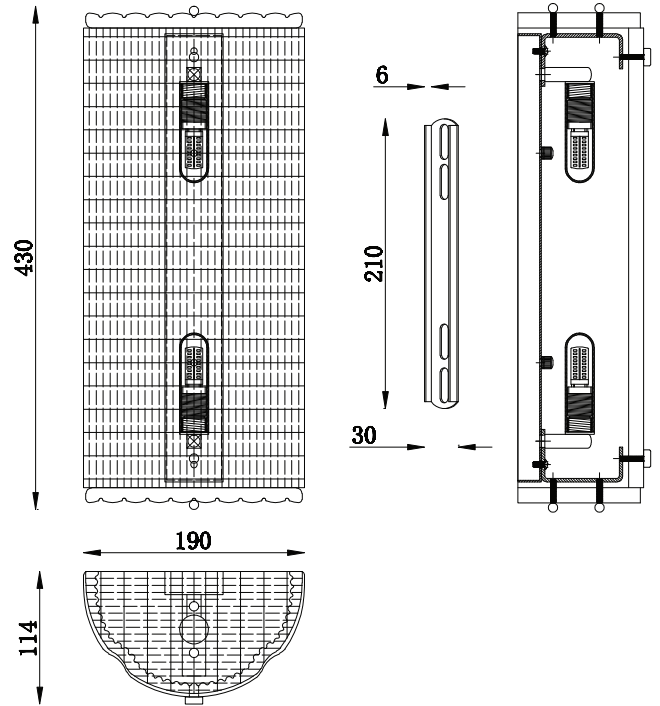
Partial

Care advice

Dust with lint free cloth

PURE WHITE LINES

EST. 2012



Medium Tortona Wall Light

Technical Specification Sheet

Dimensions

excluding rose & chain (cm)

W	D	H
19	11	43

Weight

4.8kg

Product code

PWL37965/M

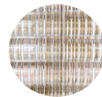
Materials

Plated iron / glass

Metal Finish

Satin Brass

Glass colour



Clear

IP Rating

IP44

Suitable for dimming

Yes - dimmable bulb is required

Max wattage

40W (equivalent to 5W LED)



Bulb requirements

3 bulbs, G9
(not included)

Packaging dims

W63 x D34 x H35cm

Packaging weight

5.8kg

Assembly required

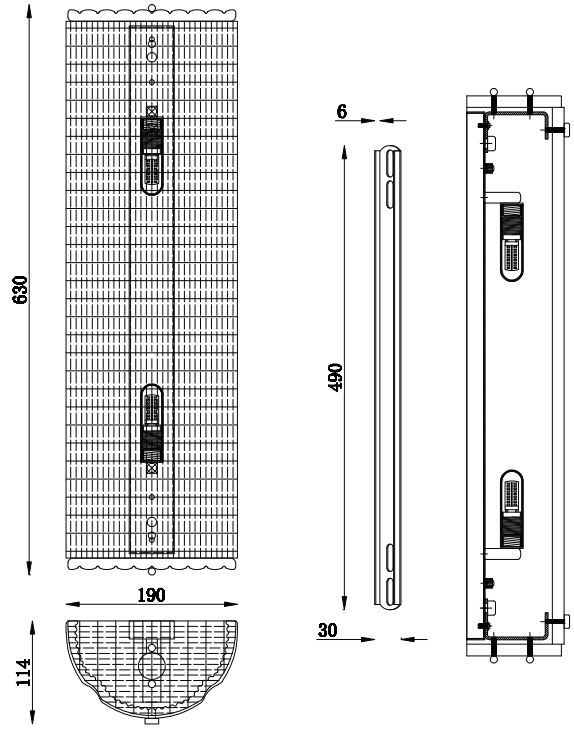
Partial

Care advice

Dust with lint free cloth

PURE WHITE LINES

EST. 2012



Large Tortona Wall Light

Technical Specification Sheet

Dimensions

excluding rose & chain (cm)

W	D	H
19	11	63

Weight

7.9kg

Product code

PWL37965/L

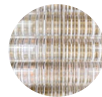
Materials

Plated iron / glass

Metal Finish

Satin Brass

Glass colour



Clear

IP Rating

IP44

Suitable for dimming

Yes - dimmable bulb is required

Max wattage

40W (equivalent to 5W LED)



Bulb requirements

4 bulbs, G9
(not included)

Packaging dims

W73 x D34 x H35cm

Packaging weight

9.3kg

Assembly required

Partial

Care advice

Dust with lint free cloth