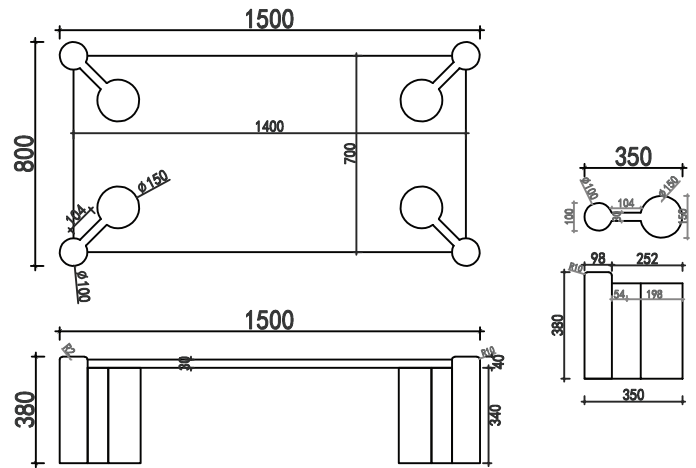


# PURE WHITE LINES

EST. 2012



## Portofino Coffee Table (Rectangular)

### Technical Specification Sheet

#### Dimensions

excluding rose & chain (cm)

W	D	H
150	80	38

#### Weight

240 kg

#### Product code

PWL35999

#### Materials

Marble

#### Available Colours



Arabescato

#### Packaging dims

L86 x W45 x H55 cm

#### Packaging weight

240 kg

#### Assembly required

Partial

#### Care advice

Dust with lint free cloth