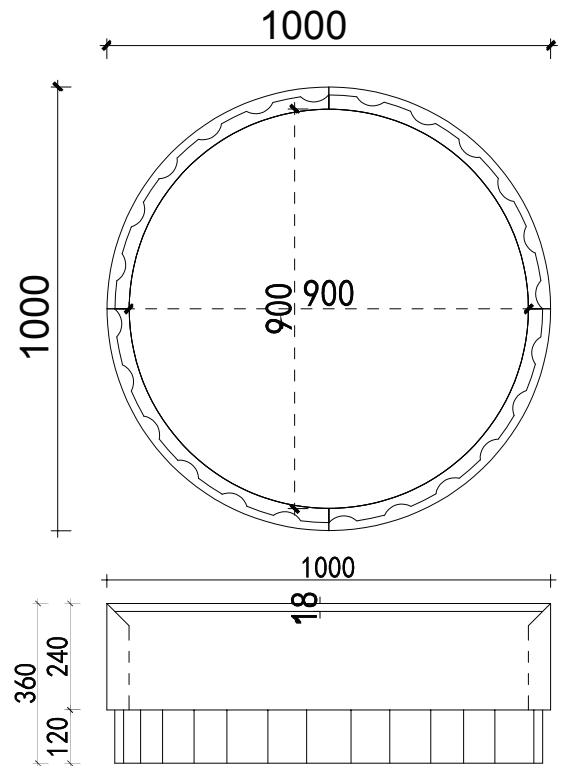


PURE WHITE LINES

EST. 2012



Oro Coffee Table

Technical Specification Sheet

Dimensions

excluding rose & chain (cm)

W	D	H
100	100	36

Weight

234 kg

Product code

PWL38849

Materials

Marble

Available Colours



Black Brown & Gold

Packaging dims

110 x 110 x 50cm

Packaging weight

254 kg

Assembly required

Partial

Care advice

Dust with lint free cloth