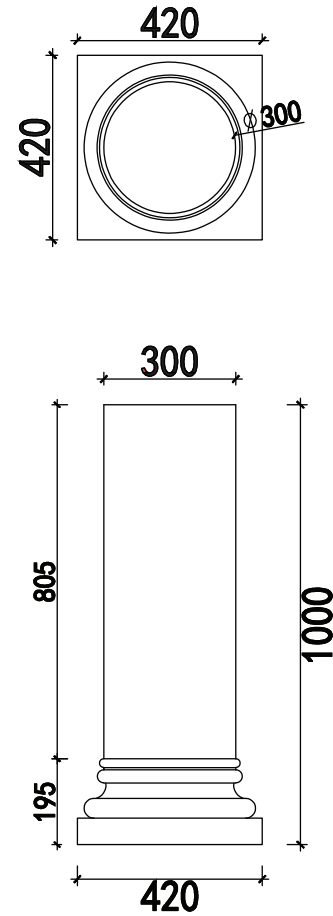


PURE WHITE LINES

EST. 2012



Napoleon Black Hector Marble Column - Small

Technical Specification Sheet

Dimensions

excluding rose & chain (cm)

W	D	H
42	42	100

Weight

260 kg

Product code

PWL83771-01

Materials

Marble

Available Colours



Napoleon Black



Italian Rouge

Packaging dims

Box 1: L40 x W40 x H98

Box 2: L52 x 52 x 37 cm

Packaging weight

260 kg

Assembly required

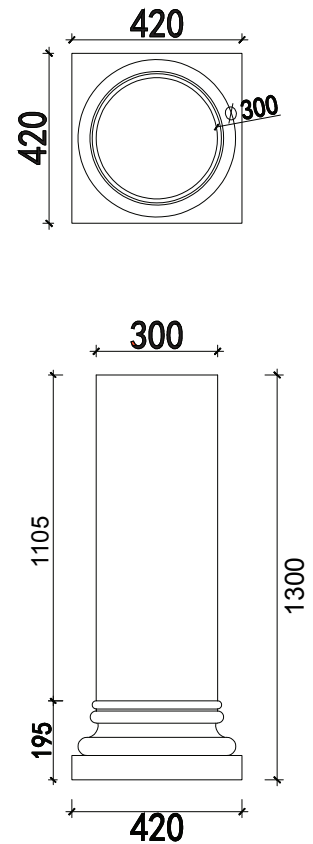
Partial

Care advice

Dust with lint free cloth

PURE WHITE LINES

EST. 2012



Napoleon Black Hector Marble Column - Large

Technical Specification Sheet

Dimensions

excluding rose & chain (cm)

W	D	H
42	42	130

Weight

300 kg

Product code

PWL83771-02

Materials

Marble

Available Colours



Napoleon Black



Italian Rouge

Packaging dims

Box 1: L40 x W40 x H98

Box 2: L52 x 52 x 37 cm

Packaging weight

300 kg

Assembly required

Partial

Care advice

Dust with lint free cloth