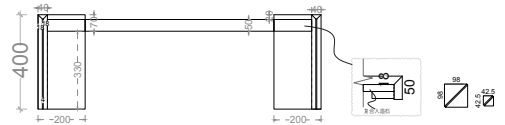
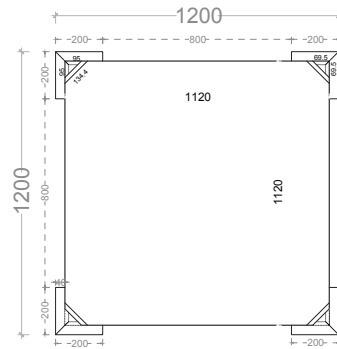
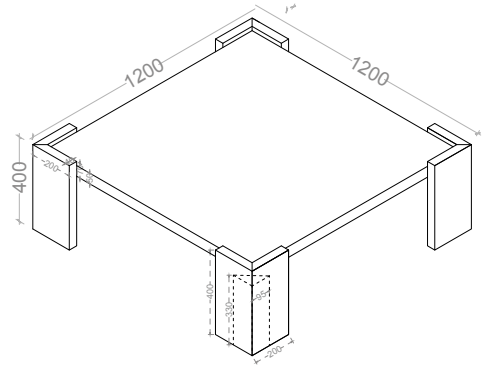


# PURE WHITE LINES

EST. 2012



## Harper Coffee Table – Red Jade (120cm)

### Technical Specification Sheet

#### Dimensions

excluding rose & chain (cm)

W	D	H
120	120	40

#### Weight

81 kg

#### Product code

PWL56929

#### Materials

Honed Marble

#### Colour



Red Dragon Jade

#### Packaging dims

120cm x 120 x 37cm

#### Packaging weight

81 kg

#### Assembly required

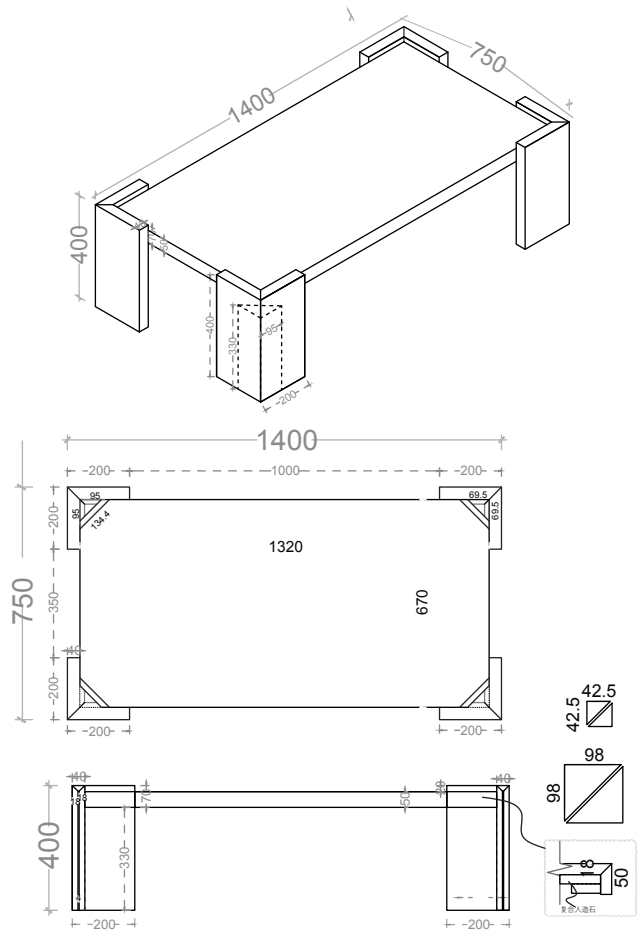
Partial

#### Care advice

Dust with lint free cloth

# PURE WHITE LINES

EST. 2012



## Harper Coffee Table – Red Jade (140cm)

### Technical Specification Sheet

#### Dimensions

excluding rose & chain (cm)

W	D	H
140	75	40

#### Weight

81 kg

#### Product code

PWL56929

#### Materials

Honed Marble

#### Colour



Red Dragon Jade

#### Packaging dims

140cm x 75 x 40cm

#### Packaging weight

81 kg

#### Assembly required

Partial

#### Care advice

Dust with lint free cloth