

VALENTIN CHAIR



RETAIL PRICE £2,200.00 (INC. VAT)

PRODUCT INFORMATION

The smooth lines of our Valentin chair are paired with a slick and stylish metallic plinth base. Upholstered in soft velvet (seen here in Moss). The ball cushion adds to the glamour of this mid-century inspired sofa. Seen here in chrome, also available in brass. Pair with the Valentin sofa.

PWL PRODUCT CODE

SKU: PWL97418

DIMENSIONS

W 101cm, D 85cm, H 75cm Seat Height 45.1cm

BOXED DIMENSIONS

109cm, 92cm, 81cm

WEIGHT

40 kg

COMPOSITION

Fibre, foam and feather blend, 100% cotton velvet, stainless steel- brass finish

CARE ADVICE

Steam to remove compression marks

AVAILABLE UPHOLSTERY OPTIONS

Juniper Velvet



Camel Velvet

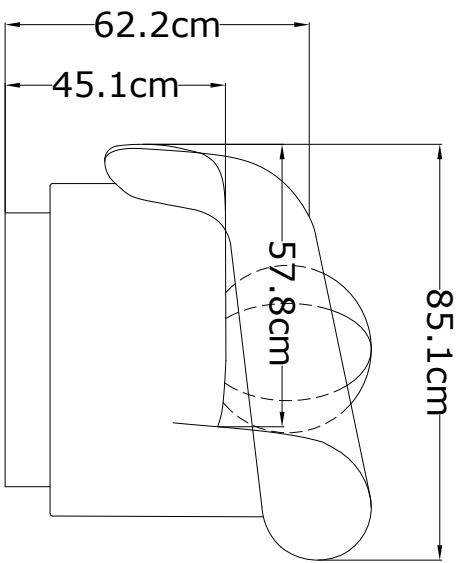
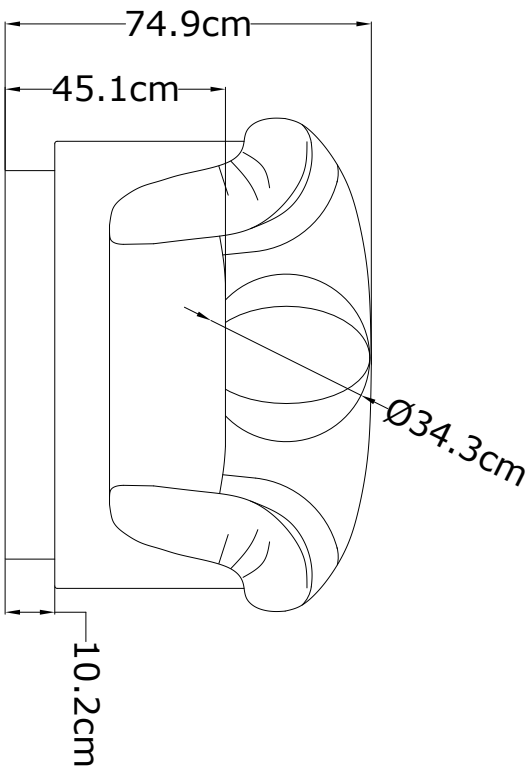
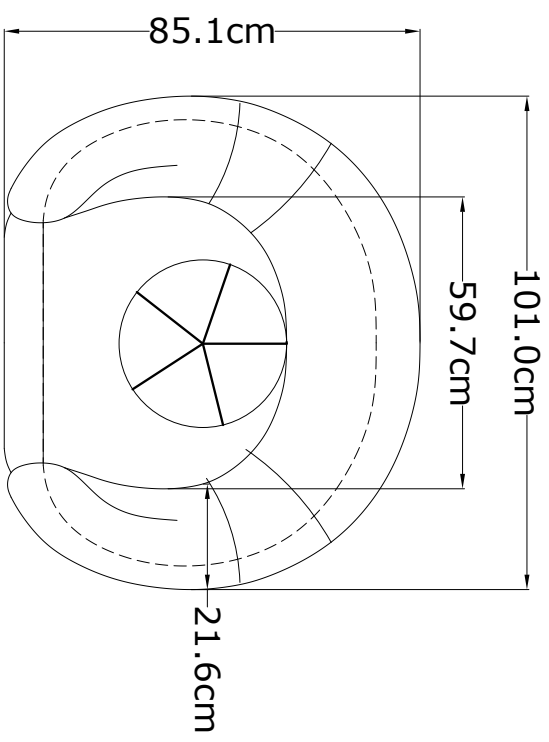


Old Gold Velvet



Royal Blue Velvet





PURE WHITE LINES

EST. 2012

VALENTIN CHAIR TECHNICAL DRAWINGS